

VZero

Compact High Output UV Curing Lamps

The Integration Technology VZero is a highly compact, ultra lightweight, modular range of UV systems, designed specifically for grand format and industrial inkjet curing applications. With arc lengths from 55-330mm and power output from 320-3,800 Watts, this lamp represents one of the most effective, high output, high quality UV emitters of its size on the market today.

A comprehensive array of options is available to configure a lamp precisely to customer requirements. From quartz filters to reduce media temperature to high-speed low inertia shutter systems, the options allow the customer to build a low budget system or to configure a system representing the cutting edge of UV technology.

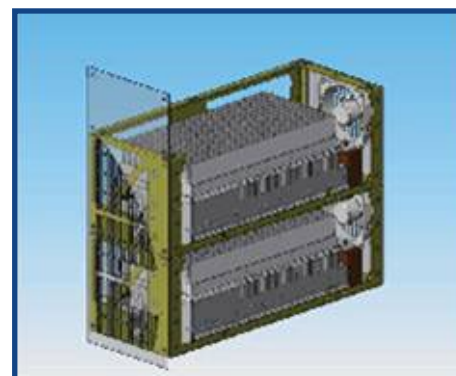
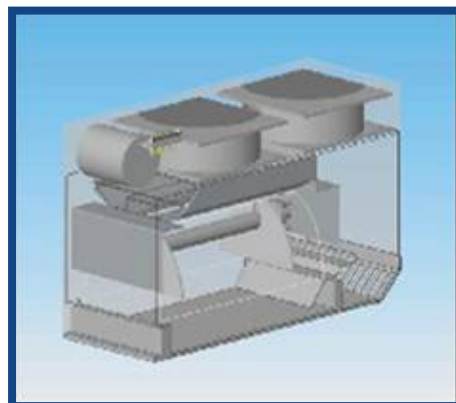
VZero Standard Features

- Plug and socket cabling connections
- One year Integration Technology Warranty
- Ultra compact 'footprint'
- High intensity reflector system
- Rapid warm-up and cool down
- In-head ignitors for reliable start and added safety
- Positive integrated air-cooling
- Guaranteed lamp-life
- Low voltage, extendable length power lead



VZero Range

Model	Power	Arc Length
VZero 055	80/200 W/cm	55mm (2.2")
VZero 085	80/200 W/cm	85mm (3.5")
VZero 140	80/200 W/cm	140mm (5.5")
VZero 170	80/140 W/cm	170mm (6.7")
VZero 220	80/140 W/cm	220mm (8.5")
VZero 270	80/140 W/cm	270mm (10.6")
VZero 330	80/120 W/cm	330mm (13.0")



VZero Options

- High speed low inertia shutter system
- Integrated light skirt shield
- Quartz plate to isolate lamp airflow from inkjets
- Electronic drive ballast

VZero Operation

Lamp warm-up:	20-30 seconds
Lamp cool-down:	40-50 seconds
Focal length:	0mm from lamphead

Power Supply

- 204/240V 50/60Hz (055-140)
- 380/415V 50Hz/60Hz Three phase
- (170-270mm)

Head Office: Integration Technology Ltd., Heyford Park, Upper Heyford, Oxfordshire, OX25 5HA, United Kingdom
Tel.: +44 (0) 1869 233611, Fax: +44 (0) 1869 233599, mail@uvintegration.com

**Integration Technology
North America**
NorthAmerica@
uvintegration.com

**Integration Technology
Korea**
Korea@uvintegration.com

**Integration Technology
(China) Ltd.**
China@uvintegration.com

**Integration Technology
Japan**
Japan@uvintegration.com

**Integration Technology
Latin America**
LAM@uvintegration.com.br

For more information: www.uvintegration.com